

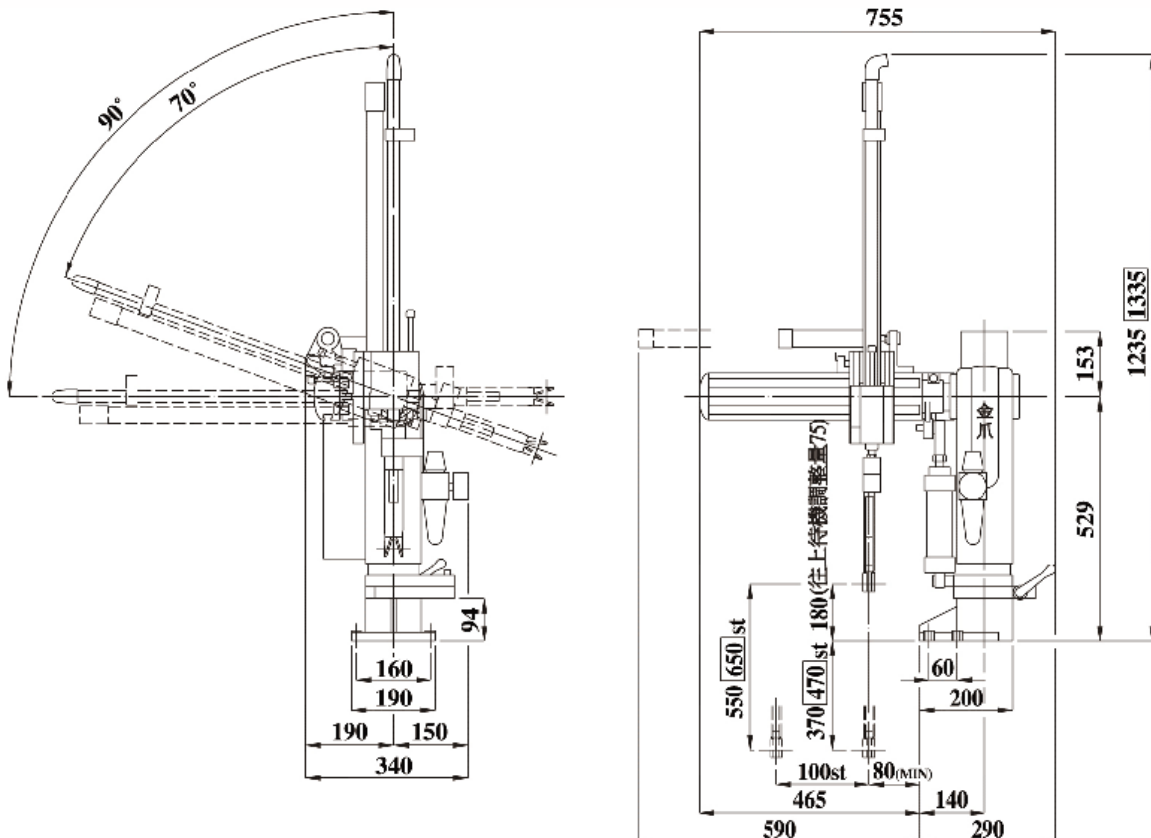
### ⊙ Specifications

Model	HC-T525P
Suited for Injection Molding Machine	50 – 180 Tons
Power Source	220V ± 10%, 50/60Hz
Electric Consumption	2A
Air Pressure	5 kg / cm <sup>2</sup>
Drive System	Air Cylinder
Take-Out Stroke ( mm )	550
Longitudinal Stroke ( mm )	100
Posture	70° ~ 90°
Fastest Cycle Time	3.0 sec.
Fastest Extract Time	0.7 sec.
Max Grip Weight (Jig Weight Included)	1000 g
Air Consumption (NL / Cycle) (Pressure 5 kg / cm <sup>2</sup> )	12.7

\* All specifications, dimensions and design characteristics shown in this catalogue are subject to change without notice.

### ⊙ Dimensions

**HC-T525P HC-T625P**



## Advanced Software Design. A New Standard of Practical Robots.

### TRAVERSE TYPE ROBOTS

- SELF-DIAGNOSTIC FUNCTIONS: If trouble occurs, the operator is alerted by an alarm sounding and the trouble is displayed on the control panel.
- The arm can be quickly swiveled to 90° forward and backward.
- The lubrication - free air circuit eliminates problems caused by lack of lubrication and avoids oil contamination on the product.
- Centralized speed control for convenience.
- Adjustable arm position increases vertical stroke.
- The air-operated gripper eliminates electrical short circuit problems. Sprue dimensions from 1 to 10 mm can be positively sensed.
- The vertical guide rod is manufactured from SUJ2 bearing steel with hardness up to 60° hard chrome treated for low friction coefficient and lubrication free.